

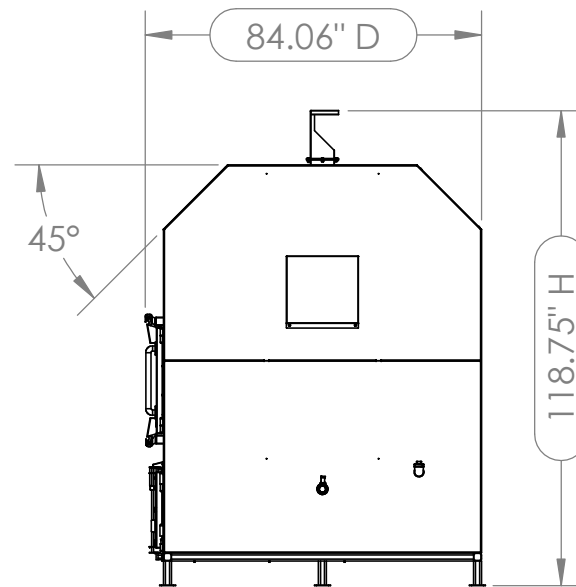
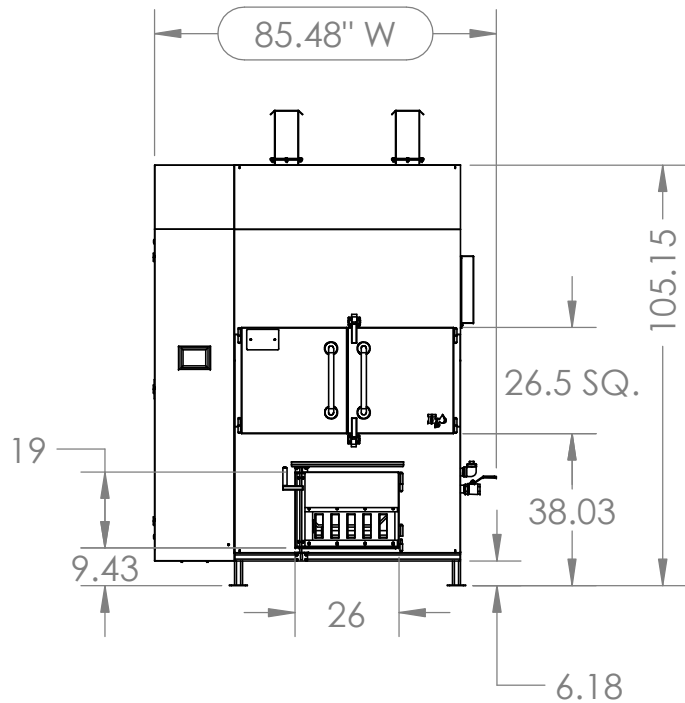
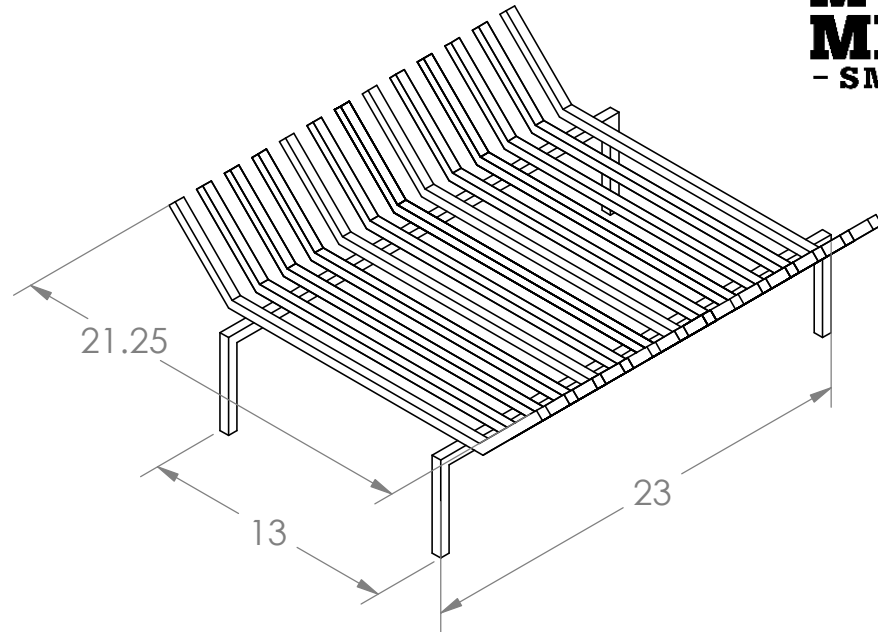
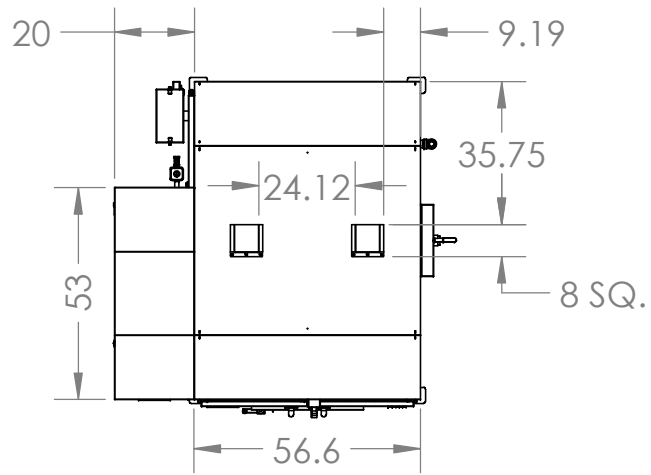
1. HANDCRAFTED IN THE USA
2. 100% INSULATED
3. 100% WELDED
4. HIGH-TEMPERATURE DURABLE POWDER COAT FINISH
5. OPTIMIZED SHAPE TO MAXIMIZE CAPACITY

179 Cross Rd, Waterford, CT. 06385  
PHONE 1-855-HOG-RULES  
Monday thru Friday: 8am-5pm EST  
<https://myronmixonsmokers.com>

MODEL **MMS-1500C**

DRAWN BY Jason Pflomm

REV 00 DATE 6/26/2018 SHEET 1

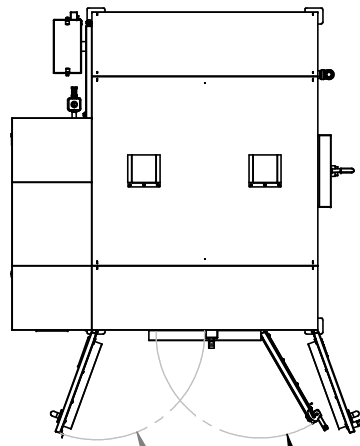


179 Cross Rd. Waterford, CT. 06385  
 PHONE 1-855-HOG-RULES  
 Monday thru Friday: 8am-5pm EST  
<https://myronmixonsmokers.com>

MODEL **MMS-1500C**

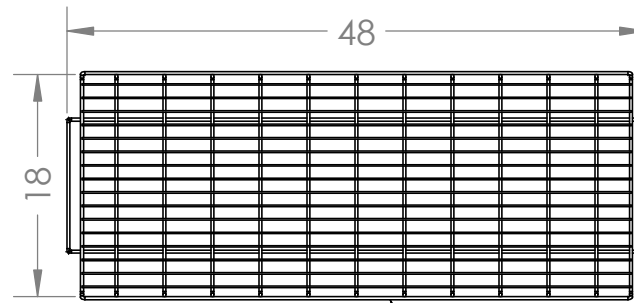
DRAWN BY Jason Pflomm

REV	DATE	SHEET
00	6/26/2018	2

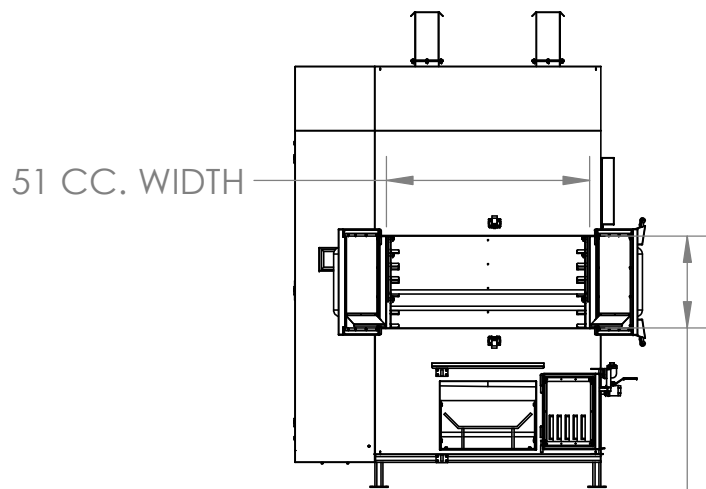


27" COOK DOOR  
SWING RADIUS, 110°  
RANGE OF MOTION

26" FIREBOX DOOR  
SWING RADIUS, 110°  
RANGE OF MOTION

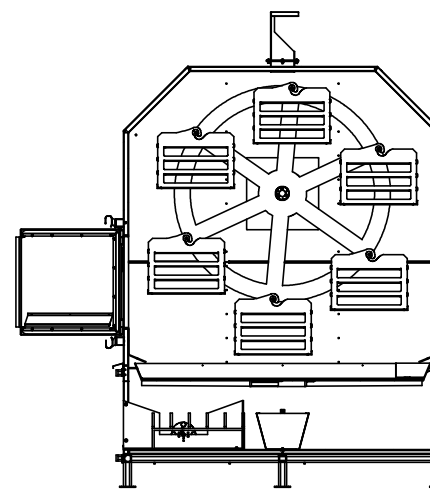


RACK AREA:  
864 IN<sup>2</sup> PER RACK  
3456 IN<sup>2</sup> PER HANGER (4)  
20736 IN<sup>2</sup> MAX (24)



51 CC. WIDTH

23 CC. OPENING HEIGHT



INTEGRATED WATER PAN  
LOCATED BETWEEN THE  
COOK CHAMBER & FIREBOX

179 Cross Rd. Waterford, CT. 06385  
PHONE 1-855-HOG-RULES  
Monday thru Friday: 8am-5pm EST  
<https://myronmixonsmokers.com>

MODEL **MMS-1500C**

DRAWN BY Jason Pflomm

REV 00 DATE 6/26/2018 SHEET 3