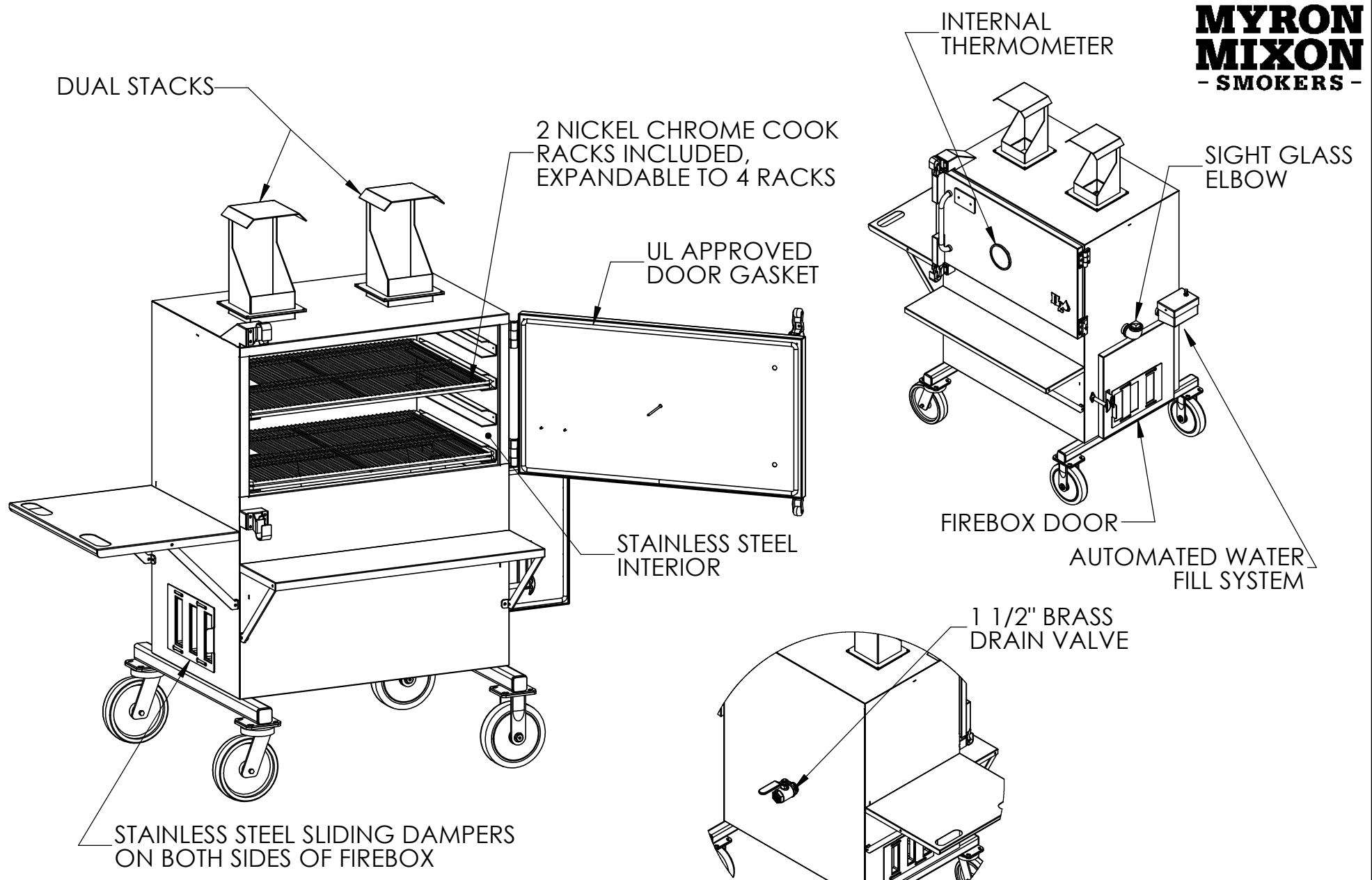
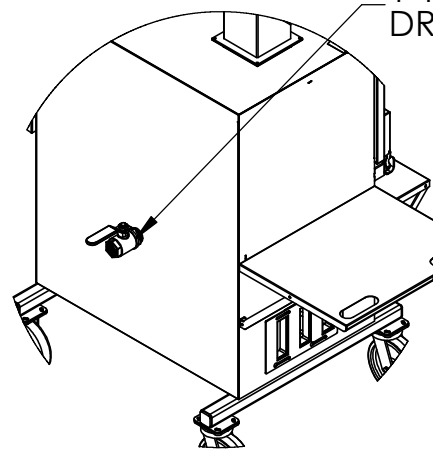


# MYRON MIXON - SMOKERS -



1. HANDCRAFTED IN THE USA
2. 100% INSULATED
3. 100% WELDED
4. HIGH-TEMPERATURE DURABLE POWDER COAT FINISH
5. OPTIMIZED SHAPE TO MAXIMIZE CAPACITY

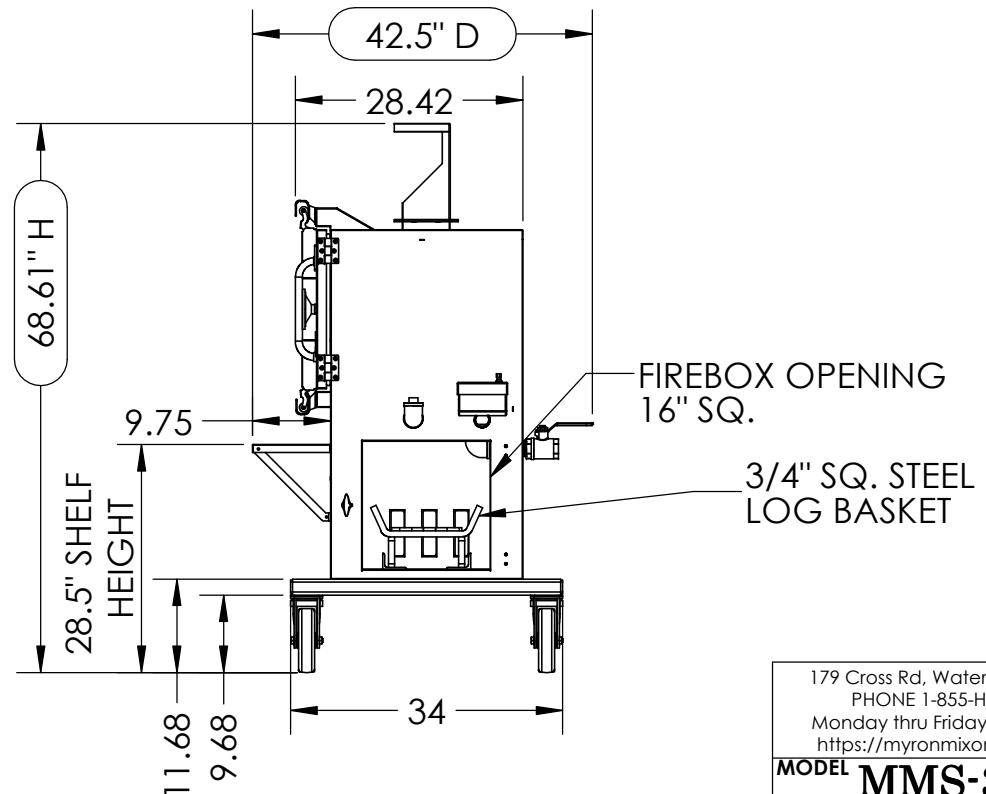
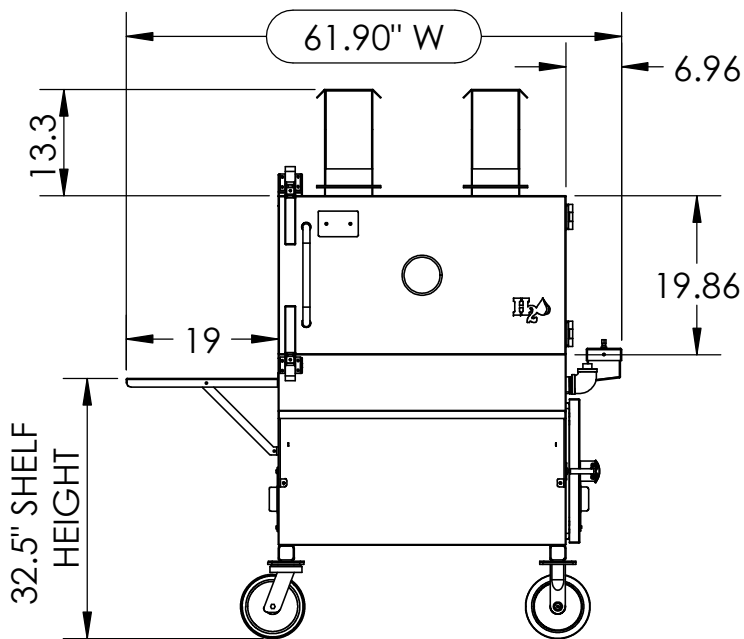
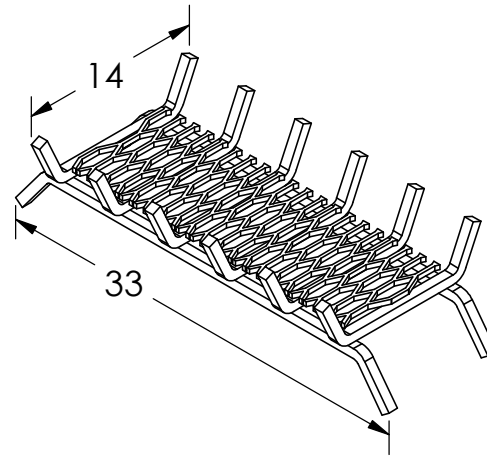
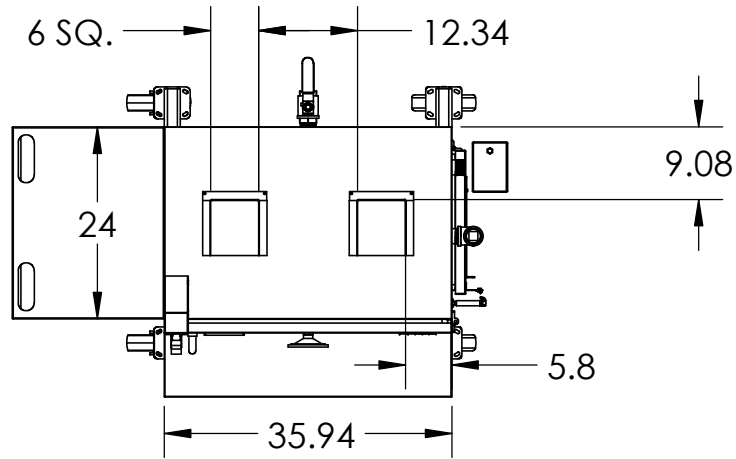


179 Cross Rd. Waterford, CT. 06385  
 PHONE 1-855-HOG-RULES  
 Monday thru Friday: 8am-5pm EST  
<https://myronmixonsmokers.com>

**MODEL MMS-36C**

DRAWN BY J. PFLOMM, M. WHITTLE

REV 05	DATE 6/13/2018	SHEET 1
--------	----------------	---------



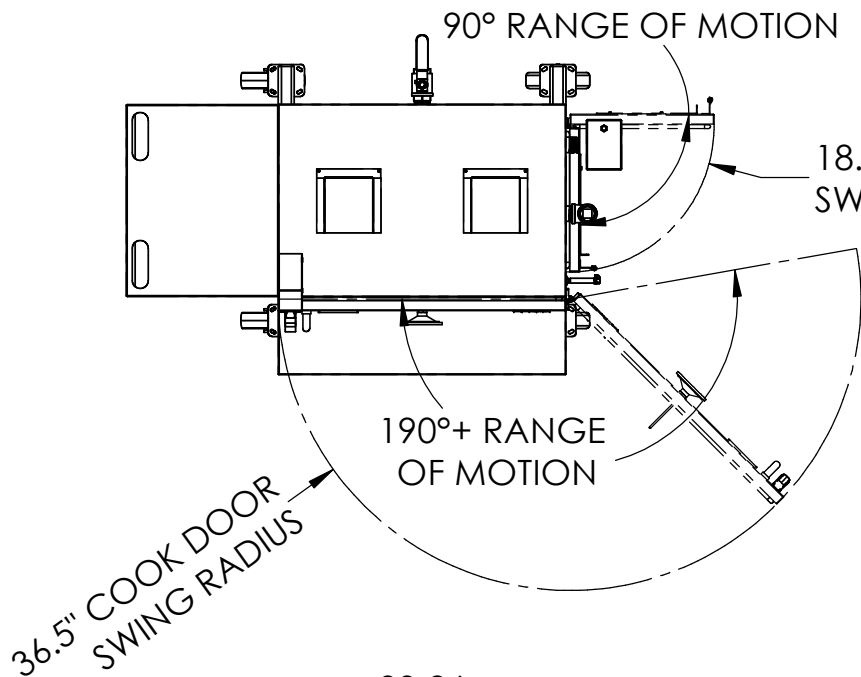
179 Cross Rd. Waterford, CT. 06385  
 PHONE 1-855-HOG-RULES  
 Monday thru Friday: 8am-5pm EST  
<https://myronmixonsmokers.com>

MODEL **MMS-36C**

DRAWN BY J. PFLOMM, M. WHITTLE

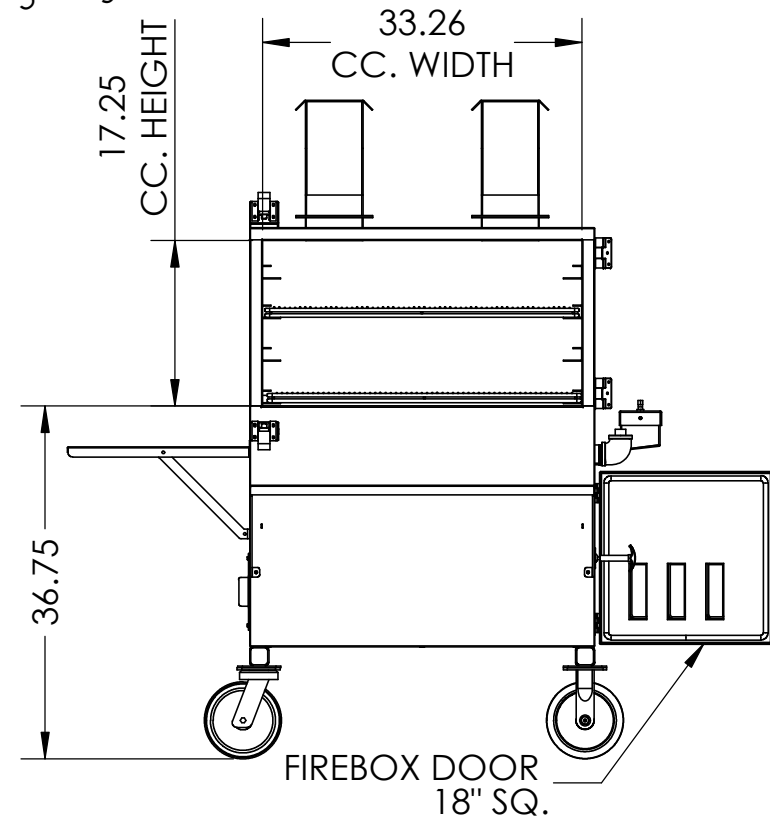
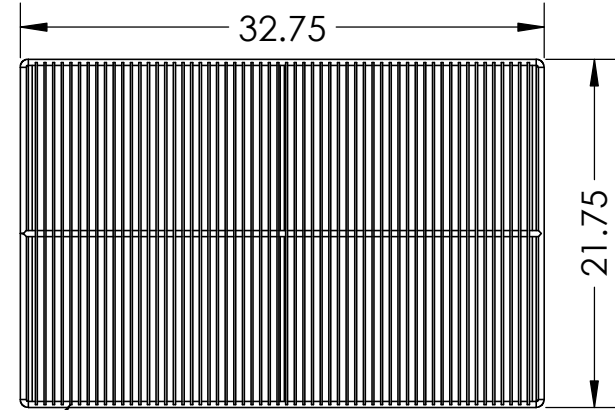
REV 05 DATE 6/13/2018 SHEET 2

# MYRON MIXON - SMOKERS -

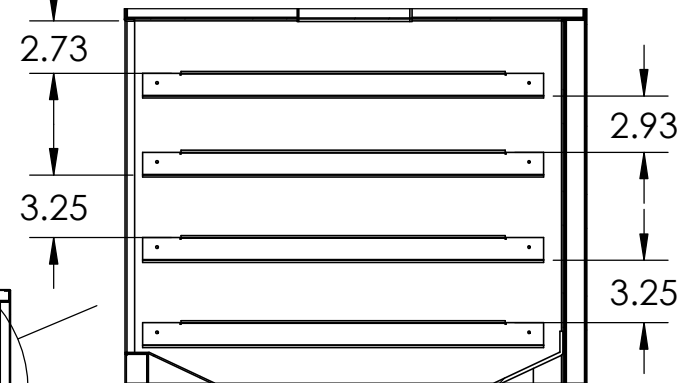
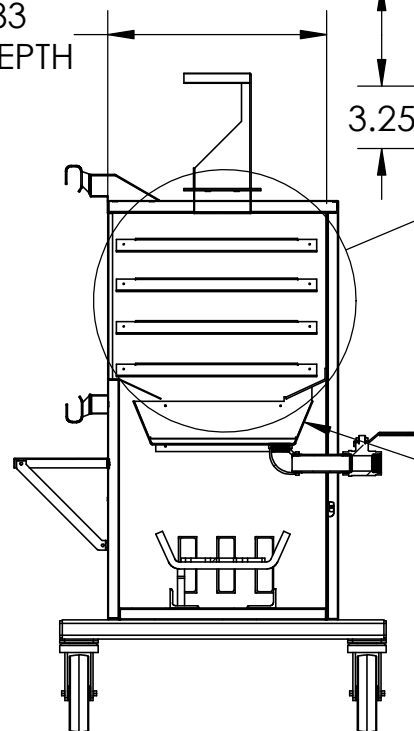


18.25" FIREBOX DOOR SWING RADIUS

RACK AREA:  
712 IN<sup>2</sup> PER RACK  
1425 IN<sup>2</sup> STOCK (2)  
2849 IN<sup>2</sup> MAX (4)



22.83  
CC. DEPTH



INTEGRATED WATER PAN  
LOCATED BETWEEN THE  
COOK CHAMBER & FIREBOX

179 Cross Rd. Waterford, CT. 06385  
PHONE 1-855-HOG-RULES  
Monday thru Friday: 8am-5pm EST  
<https://myronmixonsmokers.com>

MODEL **MMS-36C**

DRAWN BY J. PFLOMM, M. WHITTLE

REV 05 DATE 6/13/2018 SHEET 3