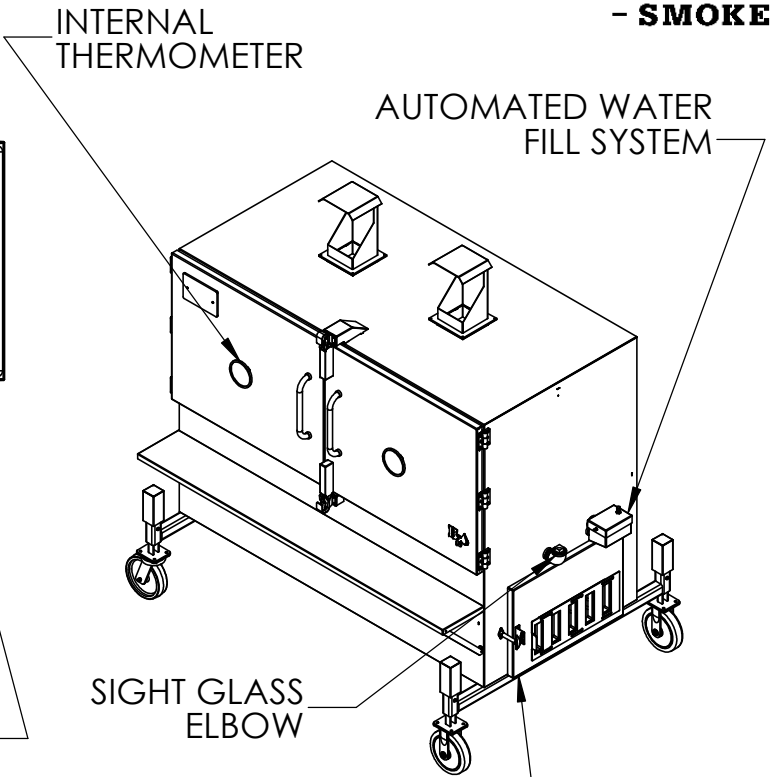
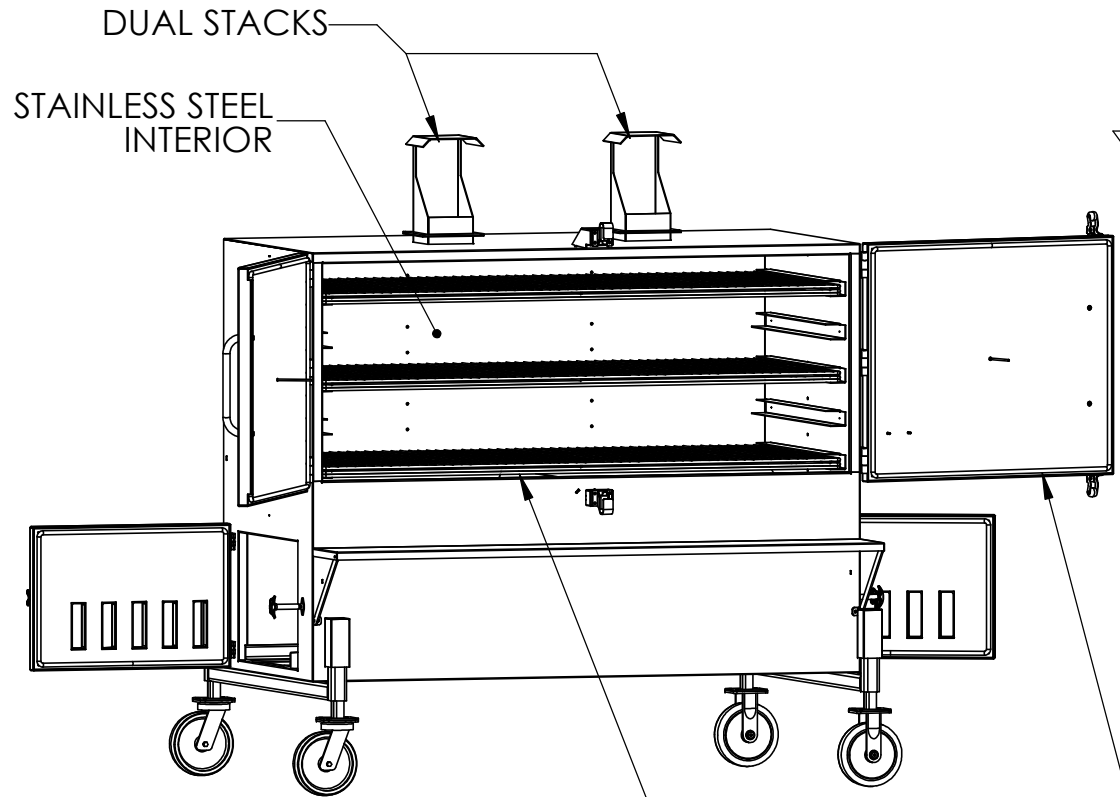


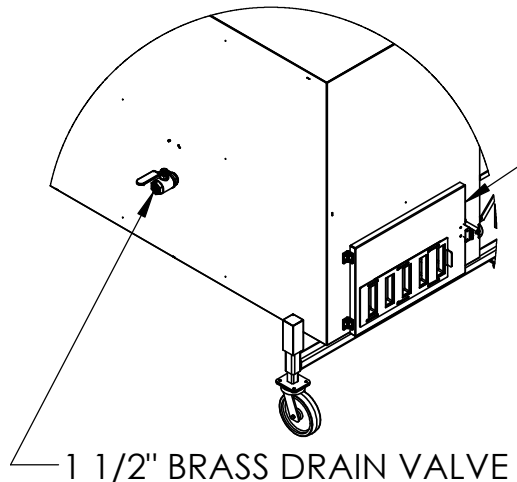
MYRON MIXON - SMOKERS -



3 NICKEL CHROME COOK RACKS INCLUDED, EXPANDABLE TO 5 RACKS

UL APPROVED DOOR GASKET

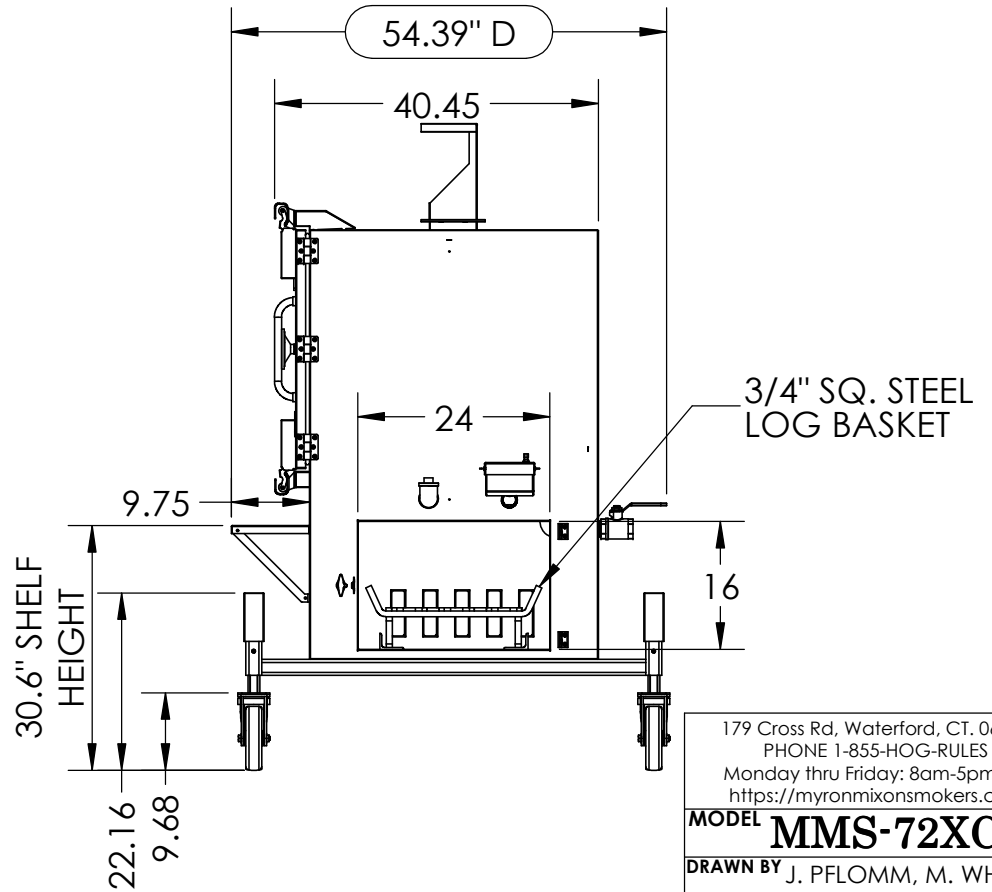
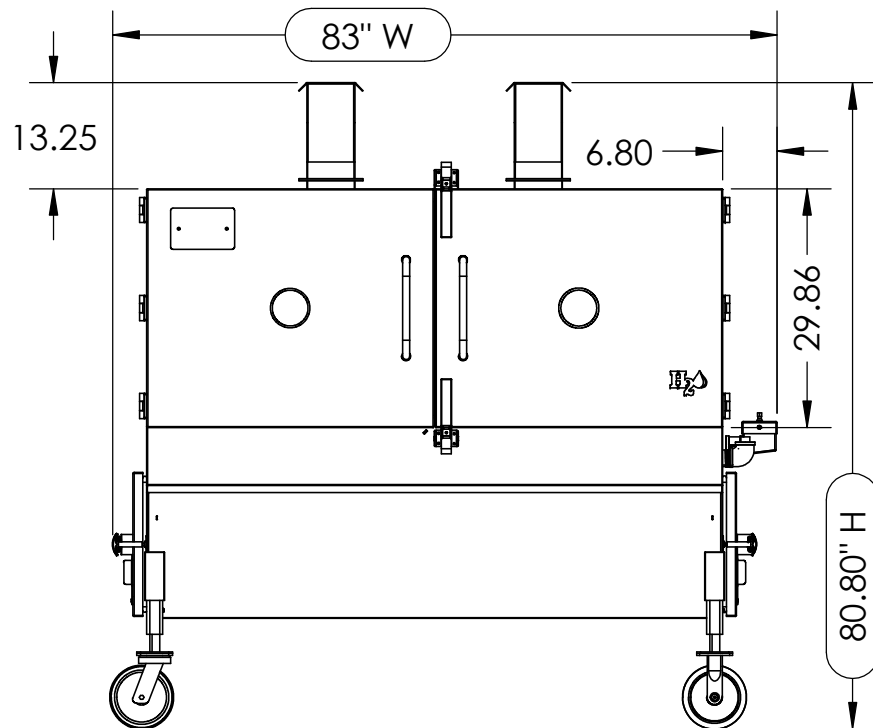
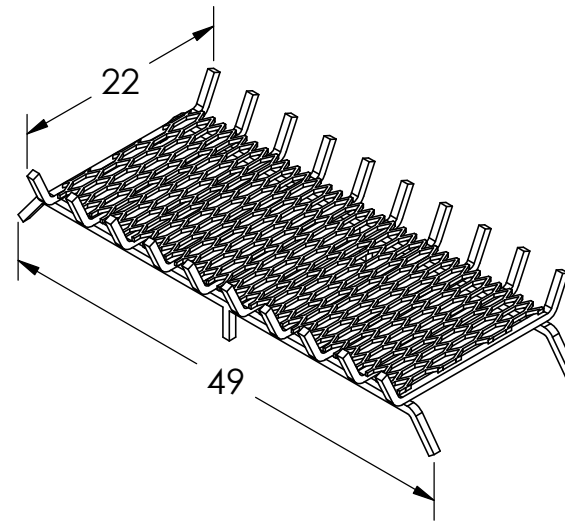
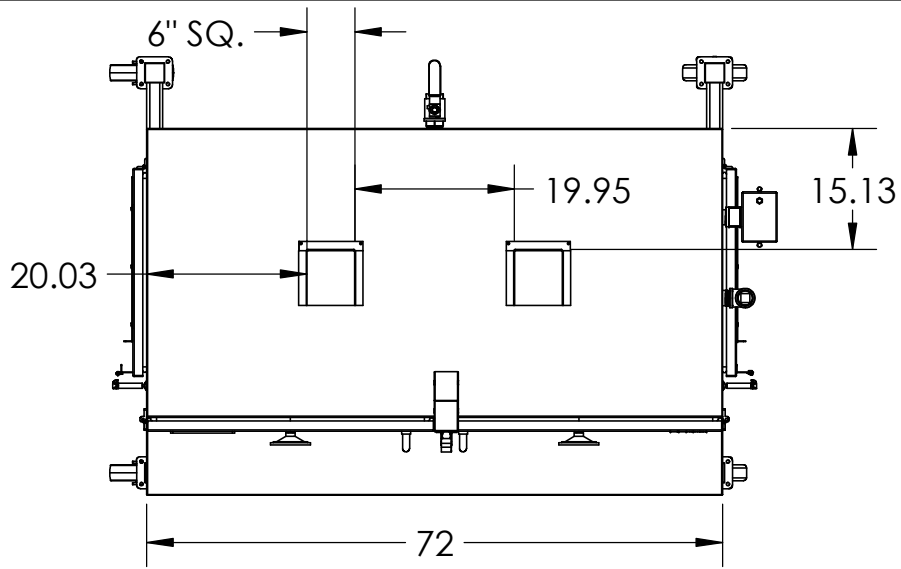
REAR VIEW



1. HANDCRAFTED IN THE USA
2. 100% INSULATED
3. 100% WELDED
4. HIGH-TEMPERATURE DURABLE POWDER COAT FINISH
5. OPTIMIZED SHAPE TO MAXIMIZE CAPACITY

179 Cross Rd. Waterford, CT. 06385		
PHONE 1-855-HOG-RULES		
Monday thru Friday: 8am-5pm EST		
https://myronmixonsmokers.com		
MODEL	MMS-72XCC	
DRAWN BY	J. PFLOMM, M. WHITTLE	
REV	DATE	SHEET
03	6/14/2018	1

MYRON MIXON - SMOKERS -



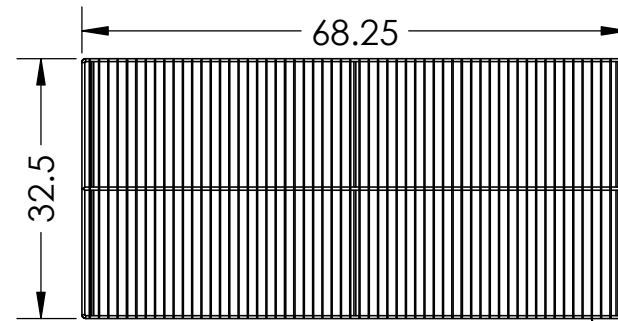
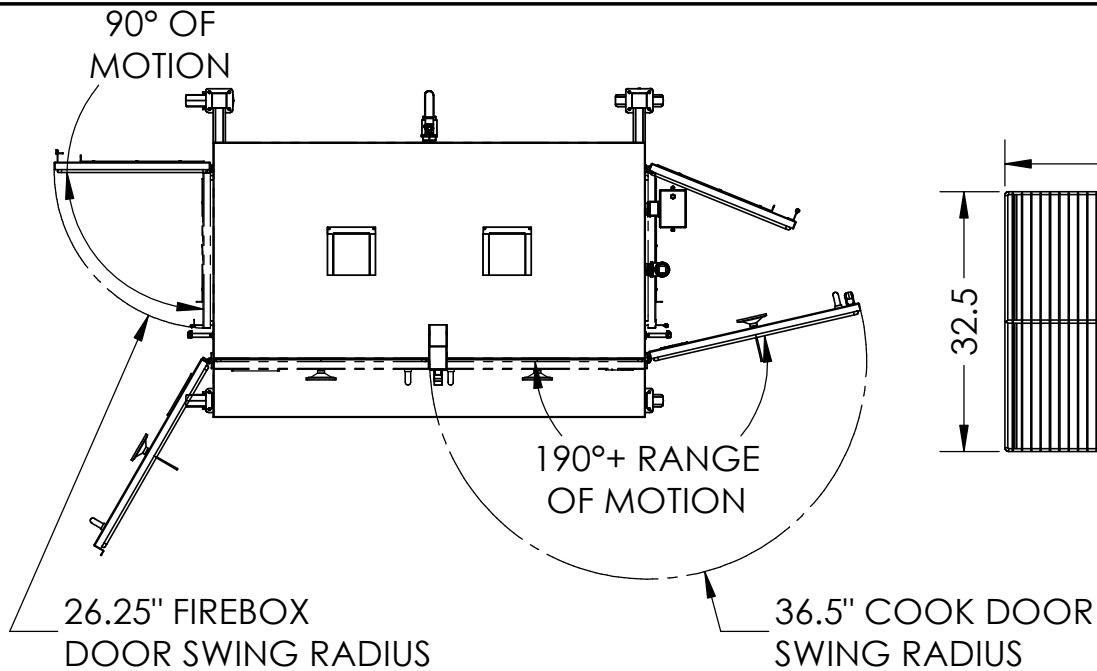
179 Cross Rd. Waterford, CT. 06385
 PHONE 1-855-HOG-RULES
 Monday thru Friday: 8am-5pm EST
<https://myronmixonsmokers.com>

MODEL **MMS-72XCC**

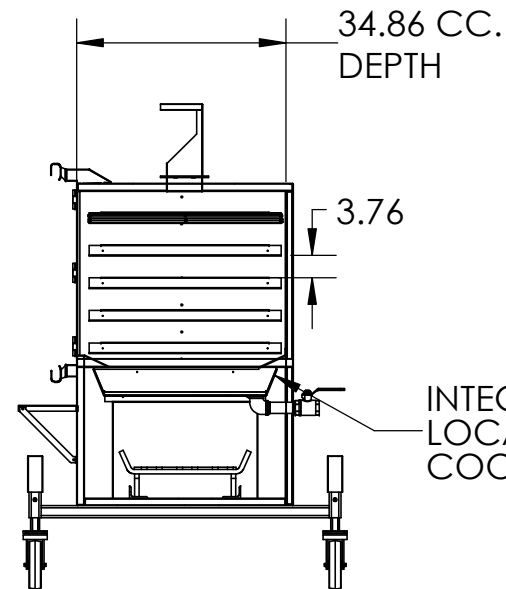
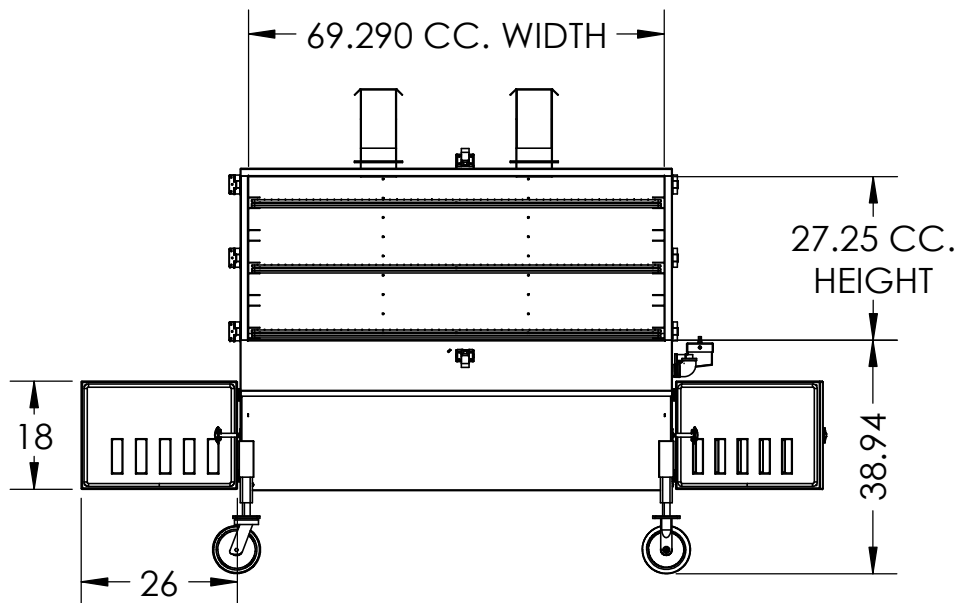
DRAWN BY J. PFLOMM, M. WHITTLE

REV 03 DATE 6/14/2018 SHEET 2

MYRON MIXON - SMOKERS -



RACK AREA:
2218 IN² PER RACK
6654 IN² STOCK (3)
11091 IN² MAX (5)



INTEGRATED WATER PAN
LOCATED BETWEEN THE
COOK CHAMBER & FIREBOX

179 Cross Rd. Waterford, CT. 06385
PHONE 1-855-HOG-RULES
Monday thru Friday: 8am-5pm EST
<https://myronmixonsmokers.com>

MODEL **MMS-72XCC**

DRAWN BY J. PFLOMM, M. WHITTLE

REV 03 DATE 6/14/2018 SHEET 3