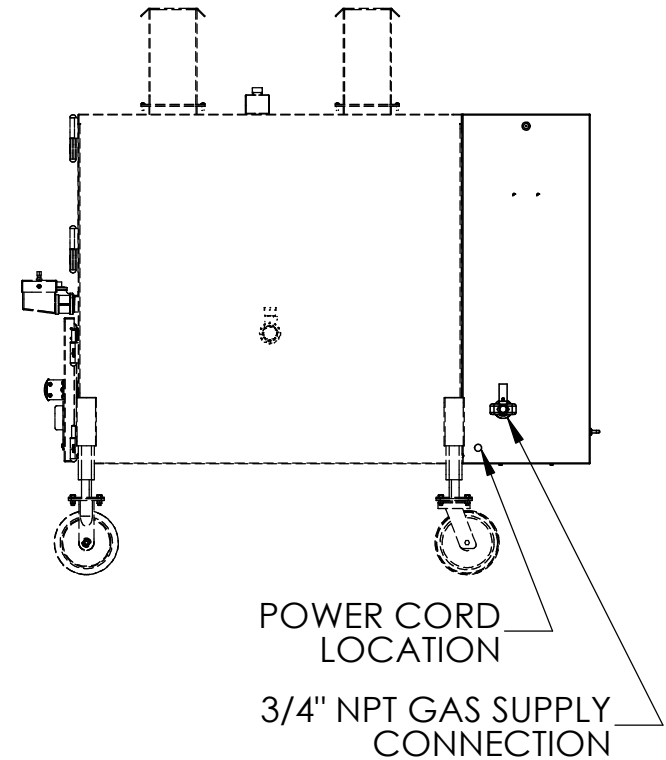
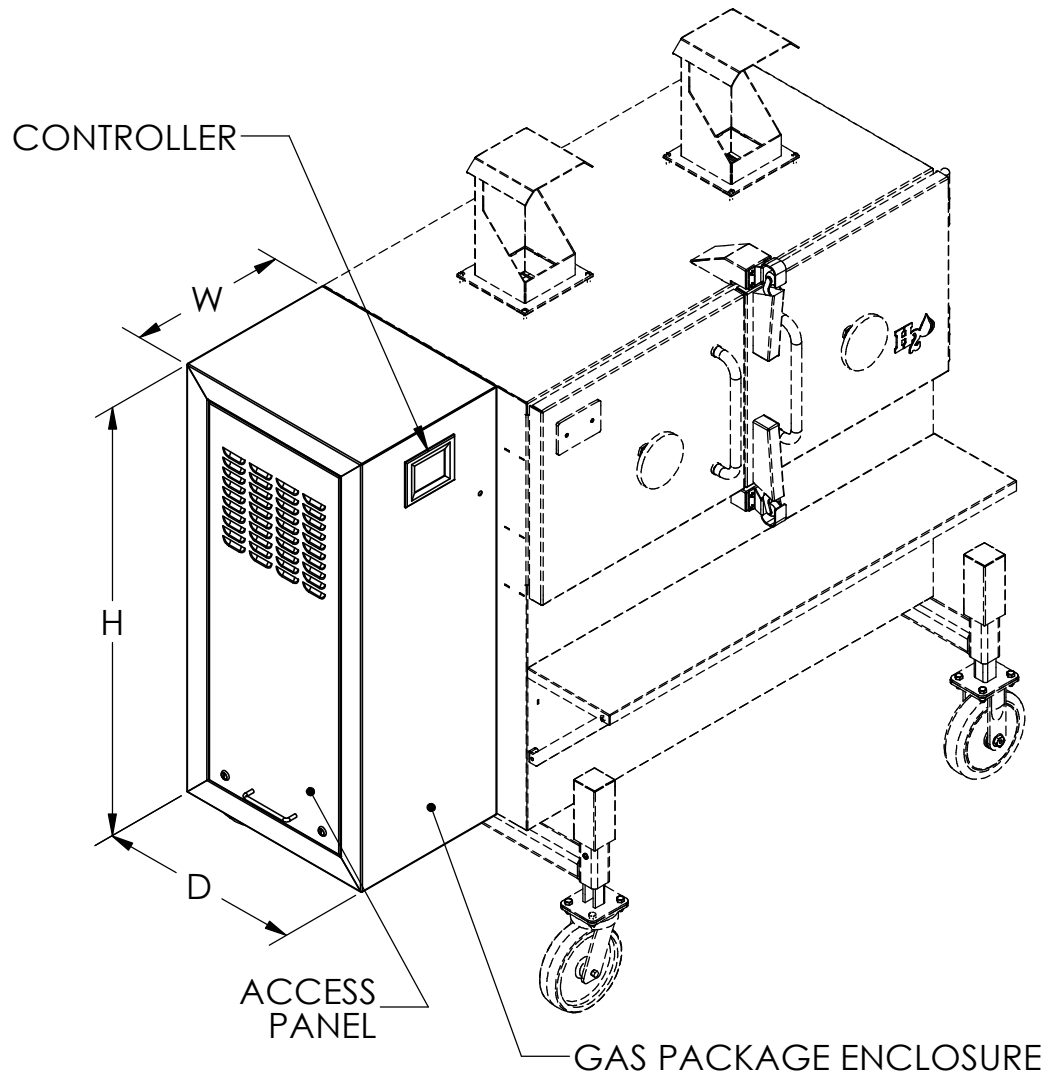


NOTE: MMS-48C USED AS VISUAL REFERENCE. GAS PACKAGE IS SIMILAR FOR ALL MODELS.

**MYRON
MIXON**
- SMOKERS -



UNIT	BTU INPUT	W	H	D
MMS-36C-GAS	70,000	16	43.71	20.61
MMS-48C-GAS	95,000	16	43.71	20.61
MMS-60C-GAS	120,000	16	43.71	20.61
MMS-72C-GAS	145,000	16	43.71	32.61
MMS-72XCC-GAS	170,000	16	53.71	32.61
MMS-1KC-GAS	170,000	16	56.50	38.87

NAT. GAS OR PROPANE, SPECIFY AT TIME OF ORDER	
ELECTRICAL	120 VAC, 15 AMP, 60 Hz. 1-PHASE

179 Cross Rd. Waterford, CT. 06385
 PHONE 1-855-HOG-RULES
 Monday thru Friday: 8am-5pm EST
<https://myronmixonsmokers.com>

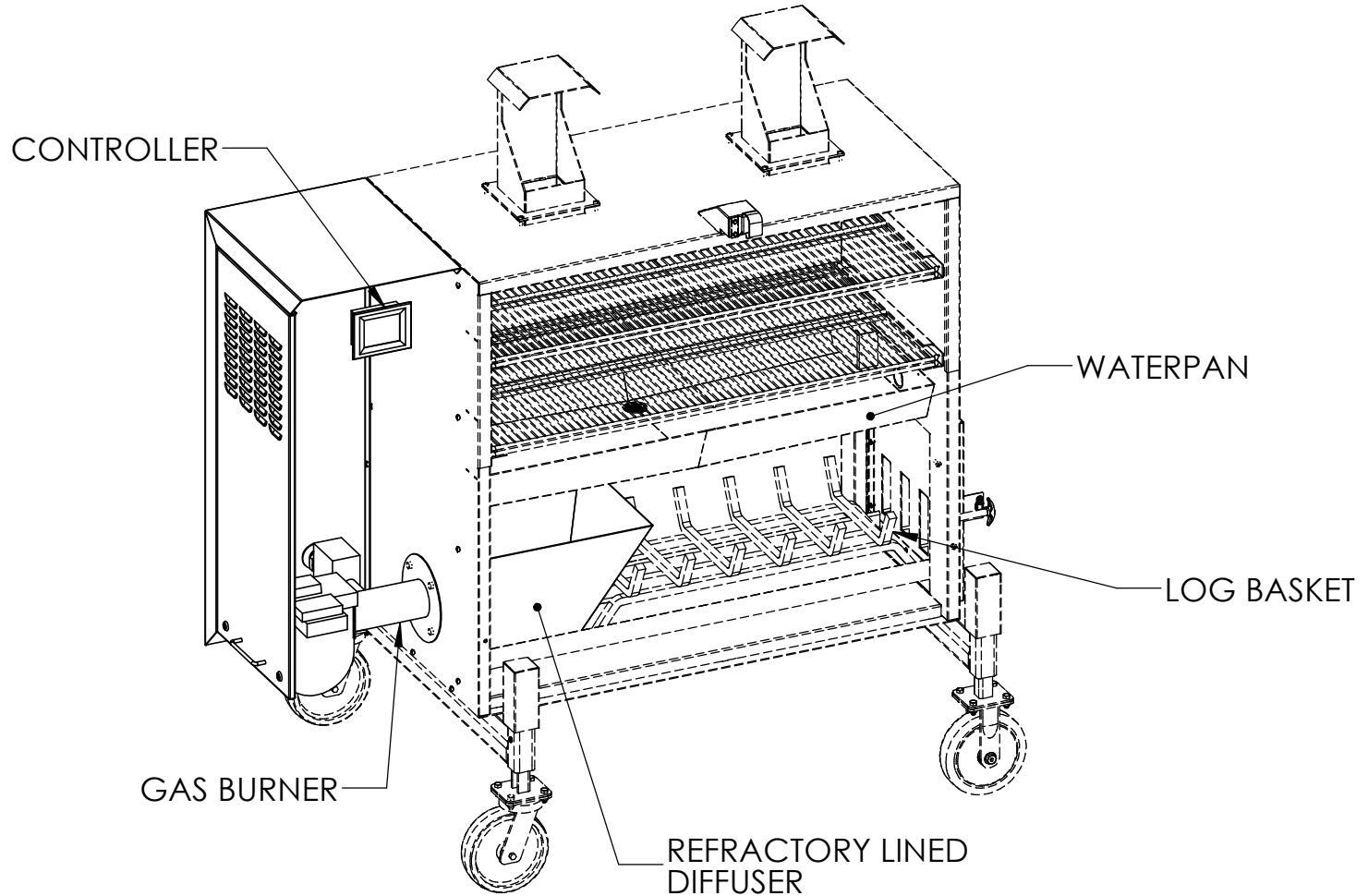
MODEL GAS PACKAGE

DRAWN BY J. PFLOMM, M. WHITTLE

REV 00 DATE 6/14/2018 SHEET 1

NOTE: MMS-48C USED AS VISUAL REFERENCE. GAS PACKAGE IS SIMILAR FOR ALL MODELS.

**MYRON
MIXON**
- SMOKERS -



INTERIOR VIEW

179 Cross Rd, Waterford, CT. 06385
PHONE 1-855-HOG-RULES
Monday thru Friday: 8am-5pm EST
<https://myronmixonsmokers.com>

MODEL GAS PACKAGE

DRAWN BY J. PFLOMM, M. WHITTLE

REV	00	DATE	6/14/2018	SHEET	2
-----	----	------	-----------	-------	---