

1. AMERICAN MADE
2. 14 GAUGE HEAVY WALL CONSTRUCTION
3. STAINLESS DOOR AND ACCENTS FOR EASY MAINTENANCE ON TOUCH POINTS
4. INTEGRATED EXHAUST PULLS COLD AIR OUT
5. HIGH-TEMPERATURE DURABLE POWDER COAT FINISH
6. CLEAN OUT TO CHANGE FLAVOR PELLETS
7. MAINTAINS TEMPERATURE VERY WELL
8. SMOKE, BAKE, GRILL, ROAST

10" DURABLE FOAM,
NO FLAT WHEELS FOR
EASY ROLLING

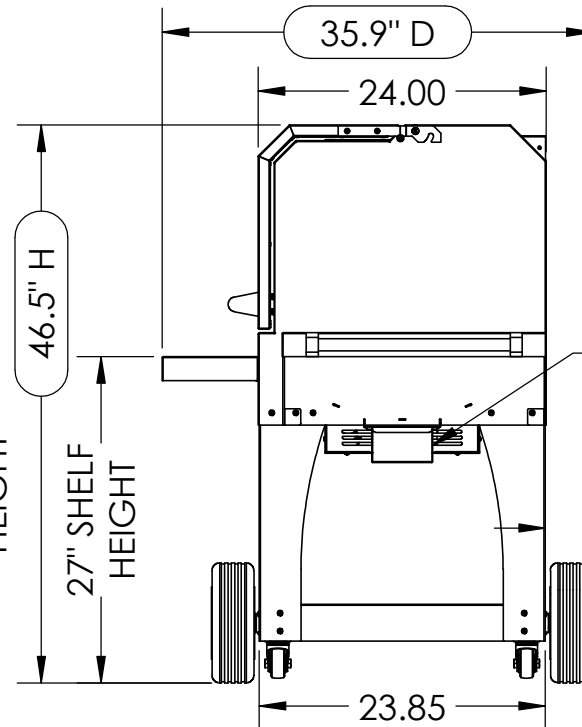
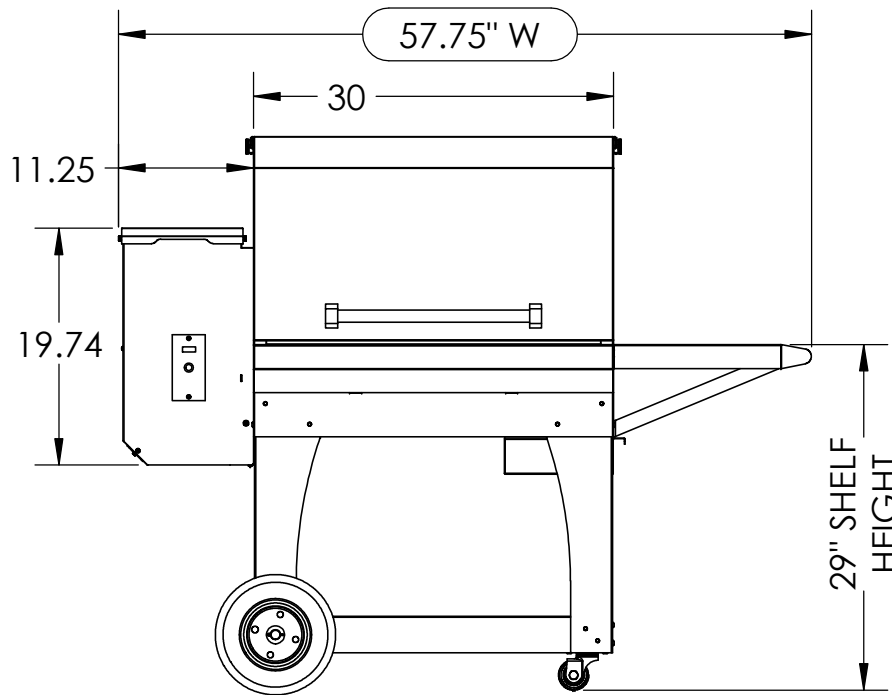
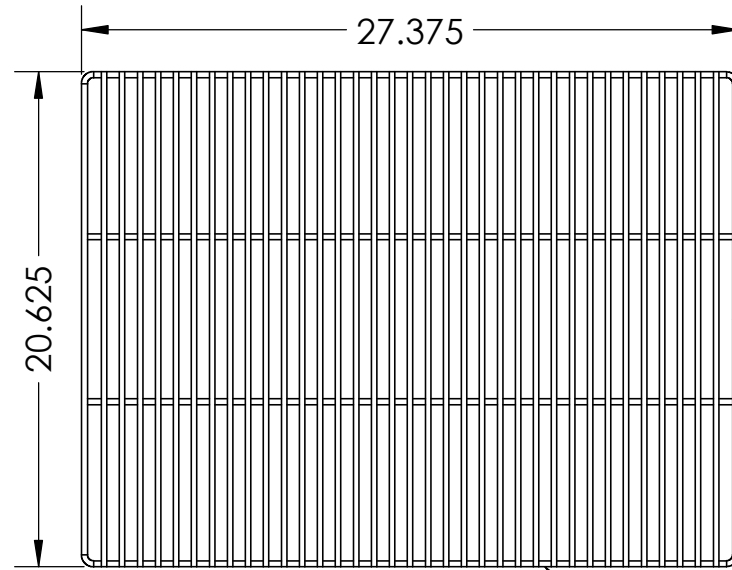
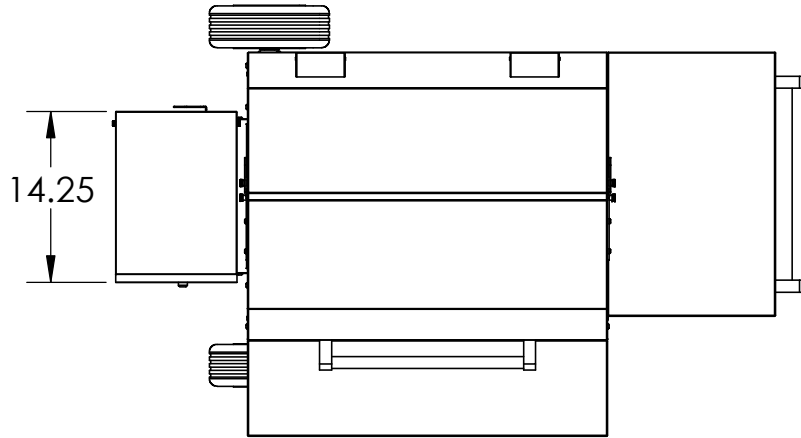
LOCKING SWIVEL CASTERS
FOR EASY MOBILITY

180 Cross Rd, Waterford, CT. 06385
PHONE 1-855-HOG-RULES
Monday thru Friday: 8am-5pm EST
<https://myronmixonsmokers.com>

MODEL **BARQ-2400**

DRAWN BY JRP

REV 06	DATE 11/29/2018	SHEET 1
--------	-----------------	---------



RACK AREA:
565 IN² PER RACK
2258 IN² MAX (4)

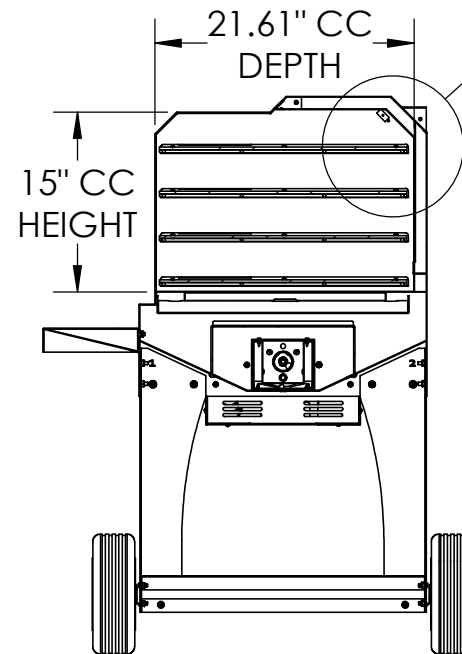
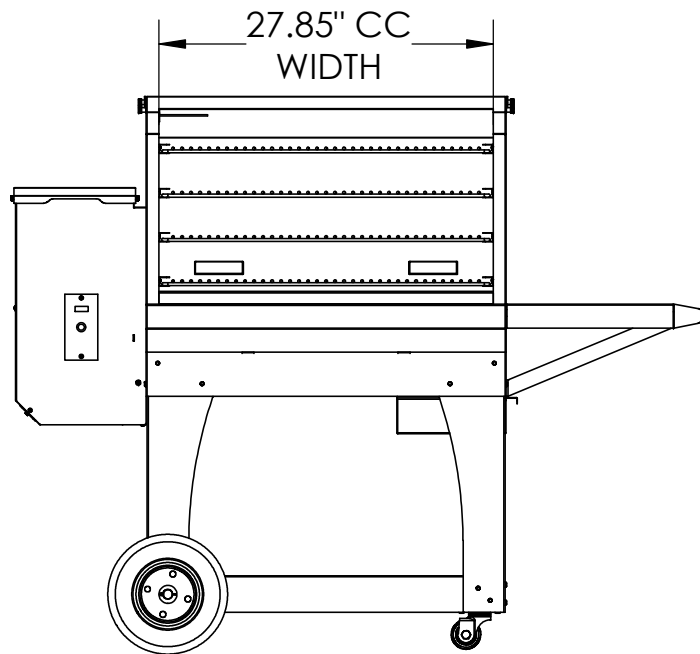
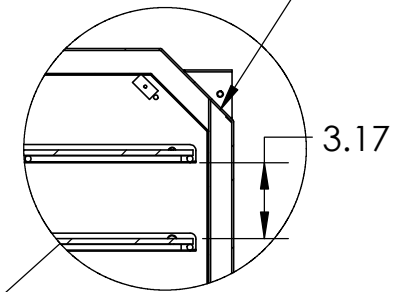
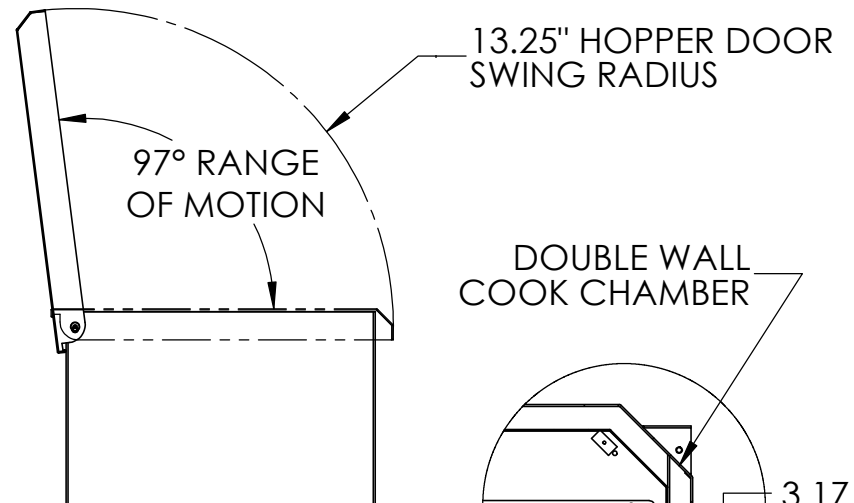
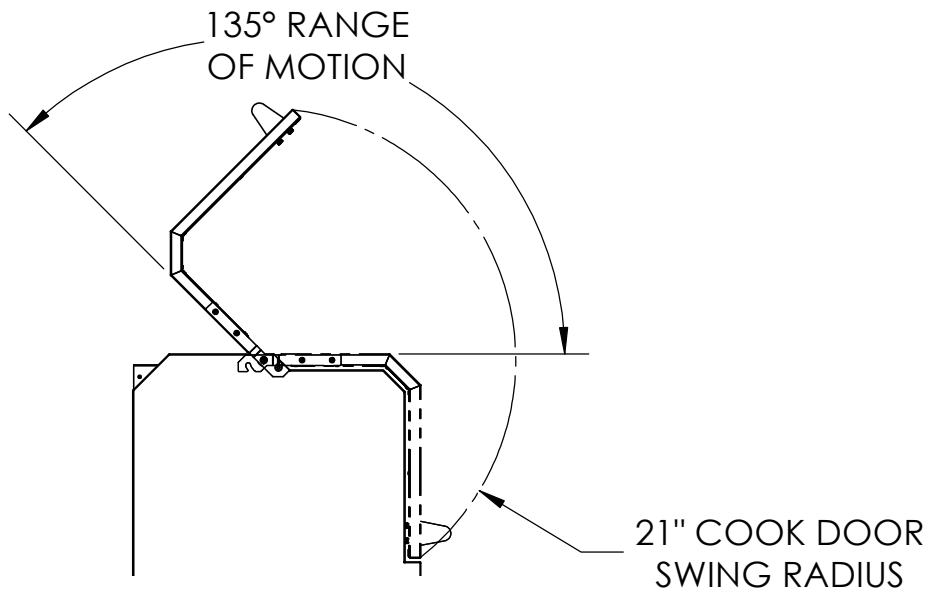
DRIP PAN:
HOLDS STANDARD
FOIL LOAF PAN AS
LINER

180 Cross Rd, Waterford, CT. 06385
PHONE 1-855-HOG-RULES
Monday thru Friday: 8am-5pm EST
<https://myronmixonsmokers.com>

MODEL **BARQ-2400**

DRAWN BY JRP

REV 06 DATE 11/29/2018 SHEET 2



SECTION VIEW

- COOK CHAMBER**
1. STAINLESS INTERIOR
 2. FULLY WELDED
 3. EVENLY HEATED

180 Cross Rd, Waterford, CT. 06385
 PHONE 1-855-HOG-RULES
 Monday thru Friday: 8am-5pm EST
<https://myronmixonsmokers.com>

MODEL **BARQ-2400**

DRAWN BY JRP

REV 06	DATE 11/29/2018	SHEET 3
--------	-----------------	---------